



Patent Drawings: The Visual Backbone of Intellectual Property Protection | The Patent Experts

When it comes to protecting your discoveries, patent drawings cannot be understated. These visual representations form the foundation of intellectual property protection, offering a clear and succinct description of your invention's distinguishing characteristics. In this detailed study, we will look at the relevance of patent drawings, their guidelines, and the expertise required to create them.

Introduction: The Crucial Role of Patent Drawings

Assume you've created a remarkable innovation with the potential to revolutionize an industry. You are keen to protect its intellectual property rights with a patent. However, without exact and thorough drawings supporting your patent application, your prospects of success are severely reduced. Patent drawings serve as a universal language, bridging the gap between technical terminology and visual comprehension. They help patent examiners, competitors, and potential licensees comprehend the substance of your innovation quickly and precisely.

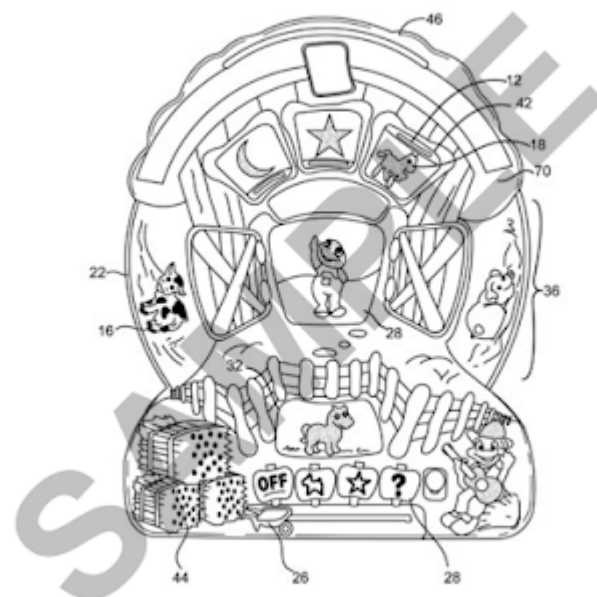


FIG. 2

Understanding Utility Patents and Their Drawings

Utility patents protect the functional features of inventions, which range from complicated machinery to novel procedures. To obtain a utility patent, inventors must submit detailed drawings describing the invention's structure, components, and operation. These drawings act as blueprints, guiding patent examiners through the complexities of the invention and assisting them in determining its uniqueness and non-obviousness.

Our team of skilled illustrators specializes in creating precise utility patent drawings that meet strict regulatory requirements. Using cutting-edge software and rigorous attention to detail, we ensure that every part of your idea is precisely represented, increasing the chances of patent approval.

Expertise in Design Patent Drawings

In contrast to utility patents, design patents are concerned with the aesthetic appearance of an innovation. Design patents cover the ornamental qualities of your production that set it apart from competitors on the market, from inventive product designs to unique packaging concepts. To create engaging design patent drawings, you must have a great eye for aesthetics and a thorough understanding of design principles.

Our firm takes pride in its ability to create visually stunning patent drawings that captivate and inspire. Our professional illustrators use a combination of creativity and precision to highlight the unique characteristics of your design, ensuring that it stands out in a crowded market.

Guidelines for High-Quality Patent Illustrations

Creating high-quality patent graphics necessitates rigorous respect for rules and regulations. To ensure compliance and accuracy while preparing drawings for a utility or design patent, follow these rules.

- Use professional-grade software and tools for rendering.
- Maintain the appropriate dimensional proportions and scale.
- Include a variety of viewpoints and opinions to convey important information.
- To facilitate identification, each element should be clearly and regularly labeled.

By following these instructions, you can speed up the patent examination process and reduce the possibility of rejection due to deficient drawings.

Comparison of Utility and Design Patent Drawings

- **Utility Patents**
 - Functional aspects of invention
 - Structure, components, operation
 - Stringent guidelines and rules
- **Design Patents**
 - Ornamental appearance
 - Aesthetic characteristics
 - Emphasis on visual appeal

Importance of Accurate Patent Drawings

Accurate patent drawings are critical to the success of your patent application. Aside from ensuring legal protection for your idea, exact drawings provide other advantages, including:

- Facilitating communication between patent examiners and stakeholders.
- Increase the enforceability and commercial worth of your patents.
- Reduce the likelihood of infringement claims and lawsuits.
- Fostering innovation by encouraging transparency and collaboration within the industry.

In today's competitive environment, when intellectual property is becoming increasingly valuable, investing in precise patent drawings is a smart move that can result in considerable long-term profits.

Conclusion: Elevate Your Patent Strategy with Expert Drawing Services

To summarize, patent drawings are more than just technical pictures; they are effective instruments for protecting your intellectual property and enhancing its value. Whether you're

pursuing a utility patent for a new discovery or looking to protect a product's distinctive design, collaborating with experienced drawing pros is critical.

Our firm combines technical expertise with artistic vision to produce patent drawings of unrivaled quality and precision. From conceptual sketches to finished renderings, we work relentlessly to ensure that your inventions are precisely and compellingly depicted.

Don't leave the fate of your intellectual property to chance. Trust the experts to bring your inventions to life through meticulous patent drawings. Contact us today to learn more about our comprehensive drawing services and take the first step towards securing your innovation's future.

Visit The Patent Experts at www.thepatentexperts.com for professional-grade patent and trademark drawings. Our skilled illustrators will bring your intellectual property to life with precision and creativity. Trust us for exceptional quality and expertise. Get started now!