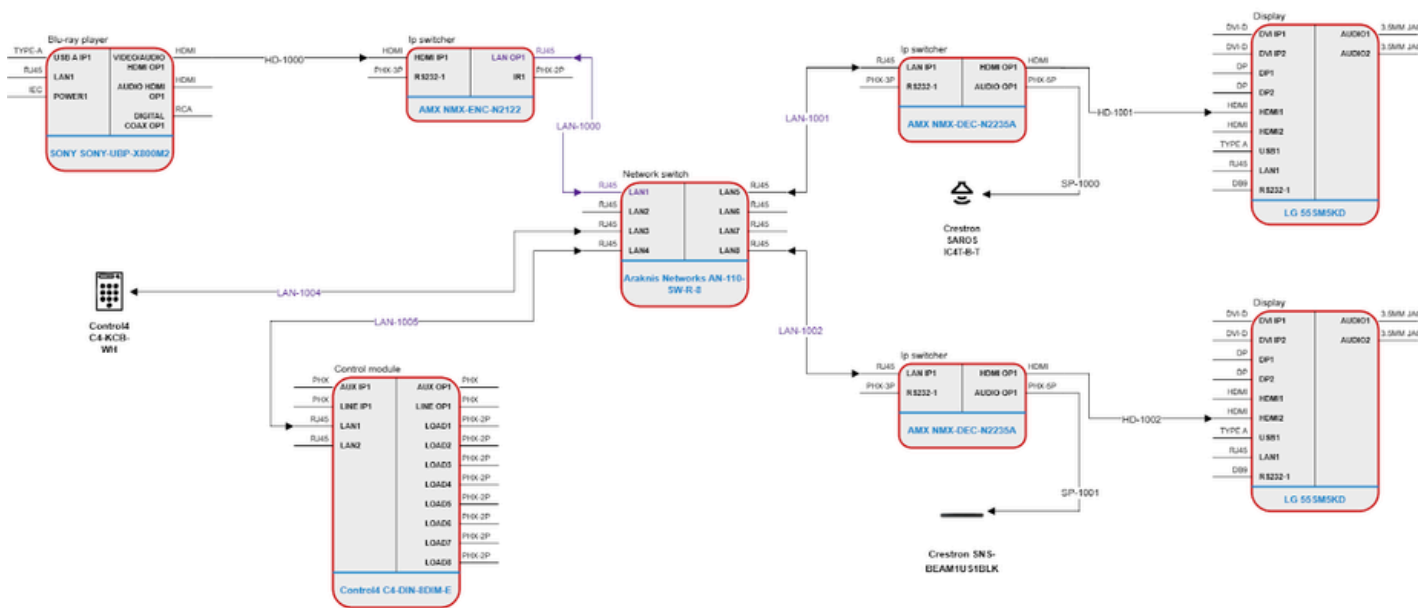




AutoCAD Alternatives for AV System Design Professionals

Designing audiovisual systems requires precision, efficiency, and the ability to visualize complex setups. While AutoCAD has traditionally been the go to software for AV system designers, the evolving demands of modern AV projects have led professionals to explore AutoCAD Alternatives. These tools offer specialized features, cloud collaboration, and user friendly interfaces that help AV designers streamline workflows and deliver accurate, professional results. In this blog, we explore why AV system design professionals are increasingly turning to AutoCAD Alternatives and highlight the top options in 2025.



XTEN-ΔV	Client	Project	Designed By	Design Residential	Checked By:
	XTEN-ΔV LLC	XTEN-ΔV California HQ	X-DRAW	Drawn By: XTEN-ΔV	Created On: 05-15-2022

Why AV System Designers Are Seeking Alternatives

AV system design is a complex discipline that involves creating detailed layouts for speakers, projectors, video walls, racks, and cabling. AutoCAD provides robust drafting tools but can be overly complex for AV specific tasks and may require high end hardware.

AutoCAD Alternatives cater to the unique needs of AV system designers by offering pre built AV components, drag and drop tools, and visualization features that simplify layout planning.

Additionally, modern alternatives often provide cloud based collaboration, allowing designers to work with clients, integrators, and team members in real time.

XTEN-AV: A Specialized AV Design Tool

XTEN-AV stands out as a top AutoCAD Alternative for AV system design professionals. Its platform is tailored specifically for AV design, allowing users to create detailed floor plans, rack diagrams, and complete system layouts with ease.

With cloud based access, XTEN-AV enables real time collaboration, ensuring that project updates are instantly shared across teams. Its drag and drop libraries include speakers, displays, microphones, and other AV components, making it faster to design accurate layouts. Lightweight performance ensures that projects can be managed efficiently even on standard laptops.

Visio: Diagramming Simplified

Microsoft Visio is a versatile AutoCAD Alternative that is often used for AV system block diagrams, signal flow charts, and basic floor plans. While not as feature rich for 3D modeling, Visio excels in simplifying the representation of complex AV networks.

Its user friendly interface and drag and drop shapes allow designers to create professional schematics quickly. Visio also integrates well with other Microsoft tools, making it easy to share designs with stakeholders who may not be familiar with traditional CAD software.

SketchUp: 3D Visualization for AV Spaces

SketchUp is an ideal AutoCAD Alternative for AV professionals who need to visualize AV systems in 3D. Designers can model rooms, ceiling layouts, and equipment placements, providing a realistic perspective of how components will function within a space.

SketchUp's web based platform allows access from multiple devices without requiring high end hardware. Extensive component libraries and plugins tailored for AV and audio visual projects enhance efficiency, making it easier to create professional renderings for clients and installers.

D-Tools: AV System Design and Documentation

D-Tools is a specialized AutoCAD Alternative designed for AV system professionals. It combines system design, documentation, and project management in a single platform.

The software allows designers to create detailed schematics, calculate cable lengths, and generate bill of materials automatically. Its integration with pricing and procurement tools helps

streamline workflows from design to installation. D-Tools is particularly useful for AV integrators managing multiple projects simultaneously, offering both accuracy and efficiency.

AutoDesk Revit: BIM Integration for AV

While AutoDesk Revit is traditionally used in architectural design, it serves as a valuable AutoCAD Alternative for AV system integration in large projects. Revit supports Building Information Modeling (BIM), which allows designers to coordinate AV layouts with structural, electrical, and mechanical plans.

For AV professionals working in commercial or institutional spaces, Revit helps prevent clashes between systems and ensures accurate placement of equipment. Its collaboration features allow AV designers to work alongside architects, engineers, and contractors seamlessly.

RoomSketcher: Quick and Intuitive Floor Plans

RoomSketcher is a lightweight AutoCAD Alternative that allows AV professionals to create 2D and 3D floor plans quickly. Its intuitive interface and drag and drop tools make it suitable for smaller projects or preliminary designs.

RoomSketcher also supports realistic 3D visualizations, which are useful for client presentations and spatial planning. Cloud based access ensures that team members can view and comment on designs in real time, enhancing collaboration and reducing miscommunication.

Key Features to Look For

When evaluating AutoCAD Alternatives for AV system design, consider the following features:

1. **Pre Built AV Libraries:** Access to speakers, projectors, screens, racks, and cabling components.
2. **3D Visualization:** Ability to create realistic layouts for spatial planning and client presentations.
3. **Cloud Collaboration:** Real time sharing and editing to coordinate with clients and teams.
4. **Documentation and Reporting:** Automatic generation of schematics, bill of materials, and cable calculations.
5. **Lightweight Performance:** Efficient operation on standard devices without high end hardware.

6. Integration with BIM and Project Management Tools: Ensures seamless coordination with architects and contractors.

Conclusion

AV system design professionals are increasingly turning to AutoCAD Alternatives to improve workflow efficiency, enhance visualization, and collaborate more effectively. Tools like XTEN-AV, Visio, SketchUp, D-Tools, AutoDesk Revit, and RoomSketcher provide specialized features tailored to AV design, offering cost effective, lightweight, and collaborative solutions. By selecting the right AutoCAD Alternative, AV professionals can create accurate layouts, present designs effectively to clients, and manage complex projects with ease. In 2025, modern alternatives not only match the capabilities of traditional CAD software but also deliver features that specifically address the unique needs of AV system design.

Read more: <https://gterahub.com/community/read-blog/3067>