



# Sheet Metal Shop Drawings Services Firm

Experience excellence in [Sheet Metal Shop Drawing Services](#) with Silicon Valley. Our industry-renowned expertise and cost-effective approach set us apart. We strive for the perfect balance of aesthetics and functionality, providing comprehensive solutions for sheet metal design. From engineering to precise part drawings, our team delivers customized services tailored to your requirements. Trust us to consistently exceed expectations with our exceptional sheet metal design services.

**The following are some of the crucial sheet metal product design services we offer:**

Designing components.

CAD/CAM Services.

Tech-Support.

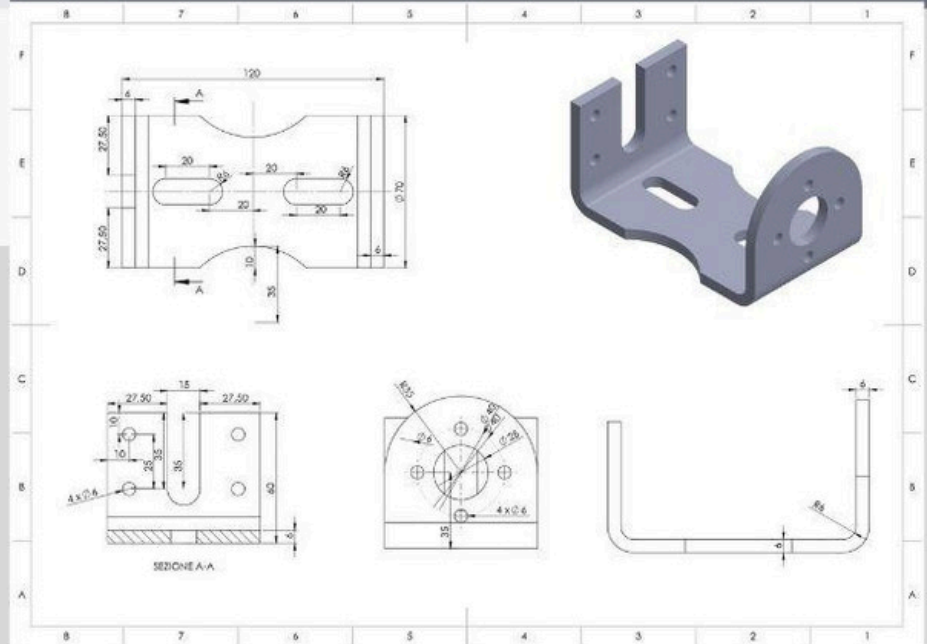
**We Also Provides:**

Gain a competitive edge with our unparalleled [CakePHP Development Services](#). Elevate your business with exceptional web portals and feature-packed applications that keep you ahead of the game. Trust us to deliver reliable results you can count on.

# SHEET METAL SHOP DRAWINGS SERVICES

SHEET METAL PRODUCT  
DESIGN SERVICES WE  
OFFER:

- DESIGNING COMPONENTS.
- CAD/CAM SERVICES.
- TECH-SUPPORT.



[WWW.SILICONINFO.COM](http://WWW.SILICONINFO.COM)